

PROTECTION CAPS FOR FIRG - A SERIES

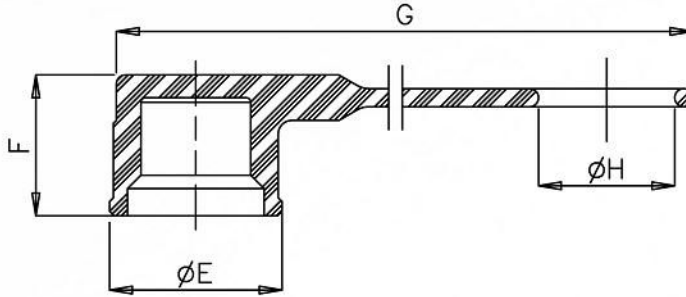
Protective caps are always recommended to protect the couplings from damage, dirt inclusion, and will increase the product life. This is particularly important in mobile applications where exposure to weather and aggregate materials are common.

The protection caps for FIRG-A series are available in three kind of materials:

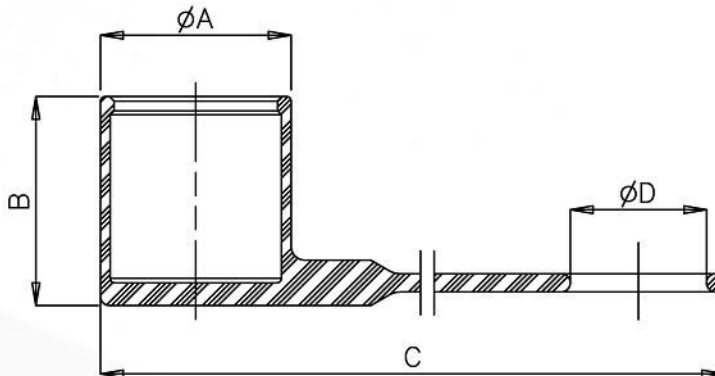
- PVC (from FIRG14-A7 to FIRG114-A21)
- Aluminum (from A25 to FIRG200)
- Nylon (from FIRG38-A9 to FIRG100-A17)



OVERALL DIMENSIONS PROTECTION CAPS FOR FIRG-A SERIES



TAPPO PER INNESTO
MASCHIO
Cap of male half



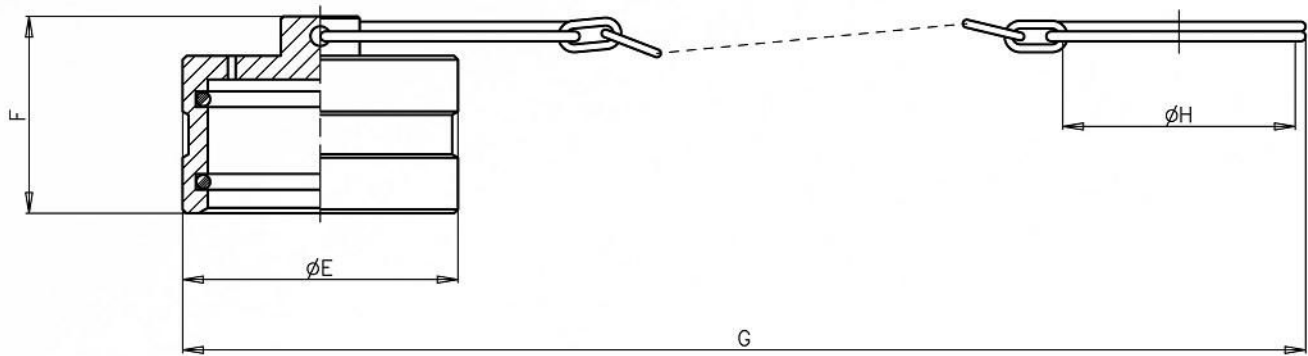
TAPPO PER INNESTO
FEMMINA
Cap of female half

PVC CAPS

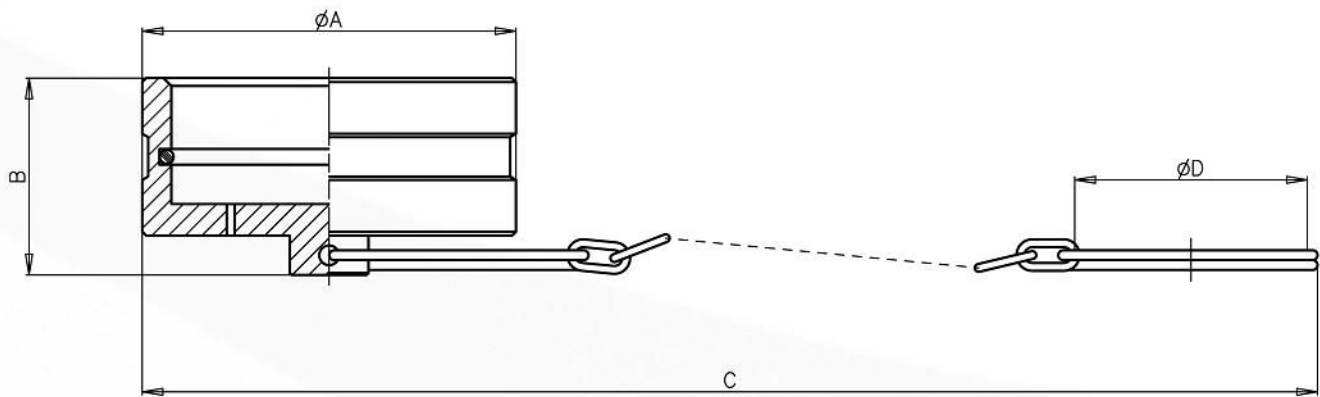
- Available in following colors: Red, yellow, blue, black and green.
- Temperature range: from -20 °C to +100 °C (from -4 °F to +212 °F).

Description	Coupling	Unit	A	B	C	D	E	F	G	H	Unit	Weight
P-7B	F-FIRG14 F-A7	mm Inch	32 1,26	38 1,50	239 9,41	20 0,79	- -	- -	- -	- -	Kg lb	0,017 0,04
D-7	M-FIRG14 M-A7	mm Inch	- -	- -	- -	- -	28 1,10	23 0,91	230 9,06	20 0,79	Kg lb	0,010 0,02
P-9D	F-FIRG38 F-A9 3/8	mm Inch	36 1,42	43 1,69	247 9,72	25 0,98	- -	- -	- -	- -	Kg lb	0,022 0,05
D-9S	M-FIRG38 M-A9 3/8	mm Inch	- -	- -	- -	- -	32 1,26	28 1,10	233 9,17	20 0,79	Kg lb	0,015 0,03
P-9D	F-FIRG12 F-A9 1/2	mm Inch	36 1,42	43 1,69	247 9,72	25 0,98	- -	- -	- -	- -	Kg lb	0,022 0,05
D-9L	M-FIRG12 M-A9 1/2	mm Inch	- -	- -	- -	- -	32 1,26	28 1,10	235 9,25	25 0,98	Kg lb	0,015 0,03
P-13D	F-FIRG12A F-A13 1/2	mm Inch	42 1,65	46 1,81	256 10,08	25 0,98	- -	- -	- -	- -	Kg lb	0,032 0,07
D-13S	M-FIRG12A M-A13 1/2	mm Inch	- -	- -	- -	- -	38 1,50	31,5 1,24	248 9,76	25 0,98	Kg lb	0,020 0,04
P-13F	F-FIRG34 F-A13 3/4	mm Inch	42 1,65	46 1,81	259 10,20	30 1,18	- -	- -	- -	- -	Kg lb	0,032 0,07
D-13L	M-FIRG34 M-A13 3/4	mm Inch	- -	- -	- -	- -	38 1,50	31,5 1,24	248 9,76	30 1,18	Kg lb	0,020 0,04
P-15F	F-FIRG34B F-A15	mm Inch	46 1,81	50 1,97	265 10,43	30 1,18	- -	- -	- -	- -	Kg lb	0,038 0,08
D-15F	M-FIRG34B M-A15	mm Inch	- -	- -	- -	- -	42 1,65	28 1,10	256 10,08	30 1,18	Kg lb	0,036 0,08
P-17G	F-FIRG100 F-A17	mm Inch	52 2,05	62 2,44	318 12,52	35 1,38	- -	- -	- -	- -	Kg lb	0,058 0,13
D-17G	M-FIRG100 M-A17	mm Inch	- -	- -	- -	- -	48 1,89	35 1,38	310 12,20	35 1,38	Kg lb	0,063 0,14
P-21H	F-FIRG114 F-A21	mm Inch	60 2,36	68 2,68	335 13,19	45 1,77	- -	- -	- -	- -	Kg lb	0,080 0,18
D-21H	M-FIRG114 M-A21	mm Inch	- -	- -	- -	- -	55 2,17	38,5 1,52	324 12,76	45 1,77	Kg lb	0,079 0,17

OVERALL DIMENSIONS PROTECTION CAPS FOR FIRG-A SERIES



TAPPO PER INNESTO MASCHIO
Cap of male half



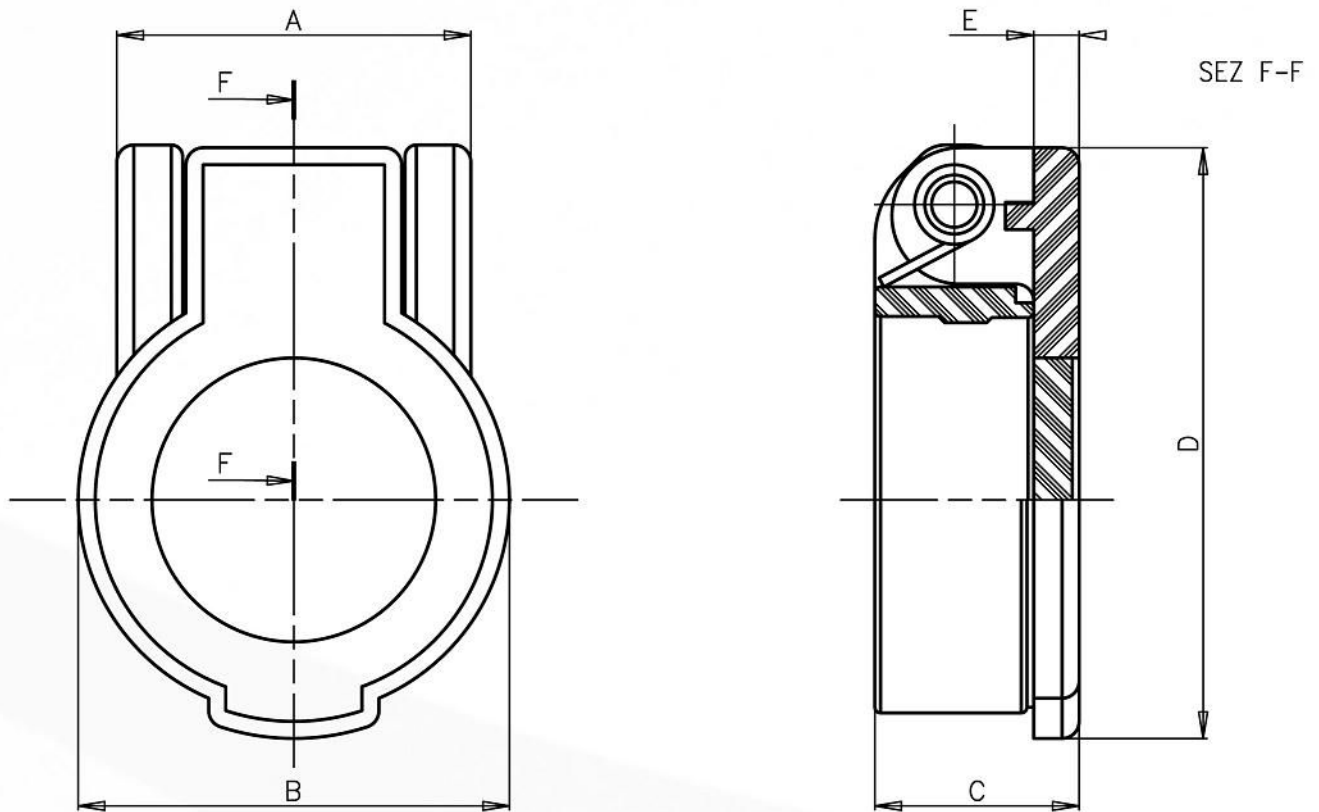
TAPPO PER INNESTO FEMMINA
Cap of female half

ALUMINUM CAPS

- Available in following colors: White and red.
- Temperature range: from -20 °C to +100 °C (from -4 °F to +212 °F).

Description	Coupling	Unit	A	B	C	D	E	F	G	H	Unit	Weight
-	F-A25	mm Inch	80 3,15	41 1,61	370 14,57	51 2,01	- -	- -	- -	- -	Kg lb	0,220 0,49
-	M-A25	mm Inch	- -	- -	- -	- -	60 2,36	46 1,81	360 14,17	51 2,01	Kg lb	0,180 0,40
-	F-FIRG112 F-A30	mm Inch	95 3,74	50 1,97	380 14,96	58,5 2,30	- -	- -	- -	- -	Kg lb	0,355 0,78
-	M-FIRG112 M-A30	mm Inch	- -	- -	- -	- -	70 2,76	50 1,97	368 14,49	58,5 2,30	Kg lb	0,205 0,45
-	F-FIRG200	mm Inch	115 4,53	50 1,97	435 17,13	75 2,95	- -	- -	- -	- -	Kg lb	0,470 1,04
-	M-FIRG200	mm Inch	- -	- -	- -	- -	85 3,35	62 2,44	420 16,54	75 2,95	Kg lb	0,305 0,67

OVERALL DIMENSIONS PROTECTION CAPS FOR FIRG-A SERIES



NYLON FLIP CAPS

- Available in following colors: Red, yellow, blue, black and green.
- Temperature range: from -20 °C to +100 °C (from -4 °F to +212 °F).

Description	Coupling	Unit	A	B	C	D	E	Unit	Weight
-	F-FIRG38-12	mm	31,5	38	18	52	4	Kg	0,018
-	F-A9	Inch	1,24	1,50	0,71	2,05	0,16	lb	0,04
-	F-FIRG12A-34	mm	31,5	46	18	60	4	Kg	0,023
-	F-A13	Inch	1,24	1,81	0,71	2,36	0,16	lb	0,05
-	F-FIRG34B	mm	31,5	50	18	64	4	Kg	0,025
-	F-A15	Inch	1,24	1,97	0,71	2,52	0,16	lb	0,05
-	F-FIRG34A-100	mm	31,5	56	18	70	4	Kg	0,025
-	F-A17	Inch	1,24	2,20	0,71	2,76	0,16	lb	0,06

The texts, data and illustrations indicated in this catalogue, may be changed by Stucchi S.p.A at any time without notice. (CAT. FIRG - EN - March 2008).